

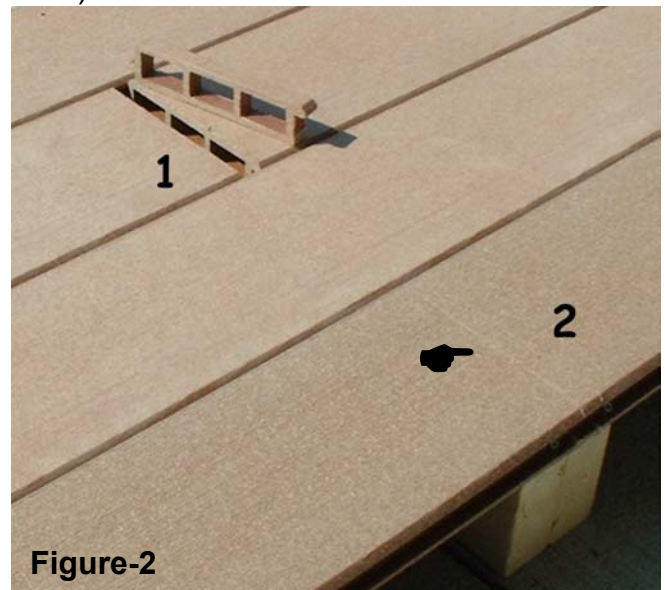
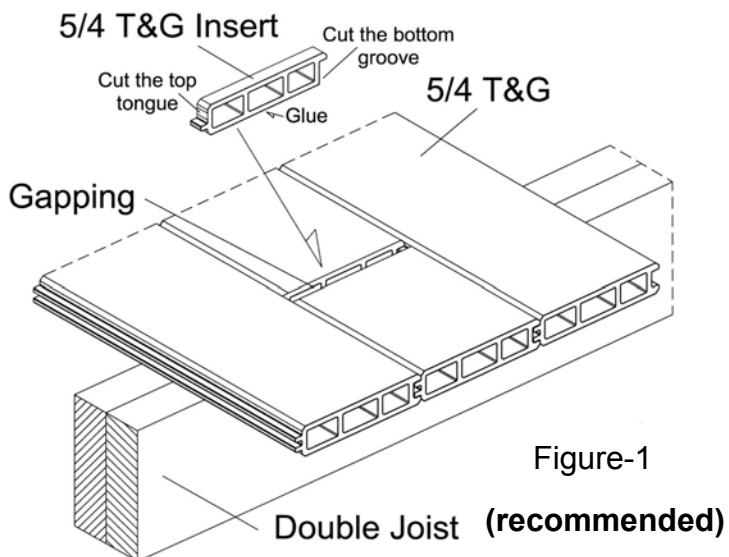
Tech Notes

Vol. 1 issue 3 (1 page)

The extreme weather change between winter and summer may cause larger gaps between the butt joints of 5/4 T&G Nexwood board. The wood sub-structure has a potential movement of expansion and contraction depending on atmospheric conditions. The coefficient of linear thermal expansion of 5/4 T&G Nexwood deck board is $2.7 \times 10^{-5} / ^\circ\text{F}$. It means that a 20 ft board at 100°F temperature change will expand or contract about 0.65". (The expansion or contraction will be held by the screws.) Usually the board will move in the direction of least resistance, the screws may bend and do not come back to the previous positions. In this case, the width of the gap may stay and at times greater than 0.25".

How to solve the problem without reinstalling the board?

1. Measure the gap between the ends of the boards.
2. Cut 5/4 T&G board at the appropriate length. (Fig.2-1: uninstalled)
3. Remove the bottom groove and top tongue of the insert. (Fig-1)
4. Clean the gapping area from dust / dirt.
5. Apply the recommended adhesive (OSI/LePage PL400) at the bottom side of the insert.
6. Place the insert in the gap. (Fig. 2-2: installed)



Remember: This problem can be minimized by constructing the frame with a double-joint where a butt-joint occurs.