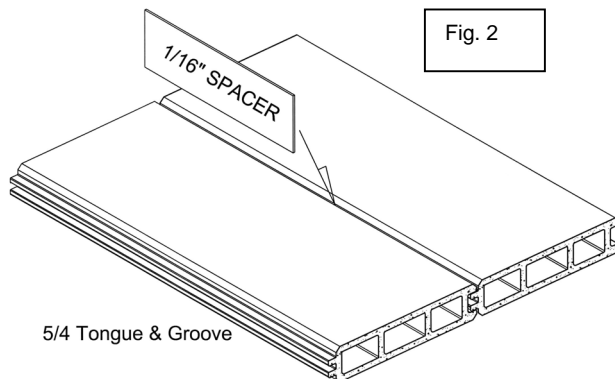
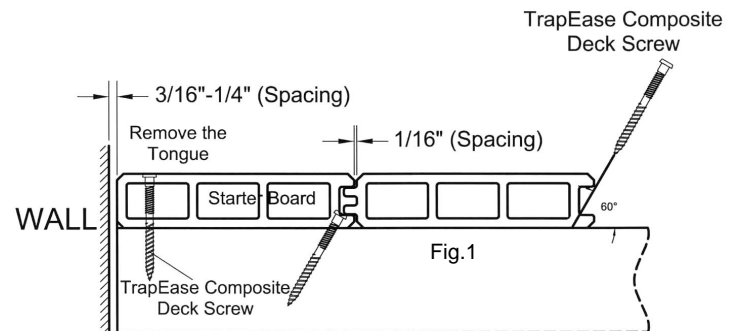


5/4 Tongue & Groove Installation

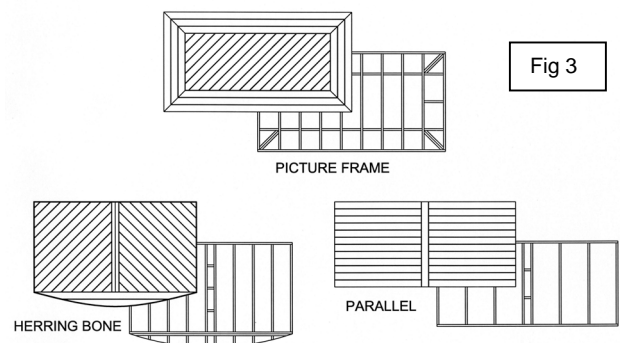
Correct installation of Nexwood 5/4 T&G is essential to product performance. Disregarding essential installation requirements will void the Nexwood Limited Warranty. Nexwood 5/4 T&G when installed according to manufacturer's instruction will provide years of long lasting beauty and enjoyment. The following are some important installation points that must also be used to ensure a properly installed 5/4 T&G deck.

- Requirement:** Dual thread composite deck screw #10 x 2 1/2" to secure 5/4 T&G boards to joist (TrapEase or Sure Drive USA CDS). Make sure that each board is fastened securely at each support joist (See Fig 1). Stainless Steel trim head screws should **not** be used for T&G.
- Requirement: Expansion/Contraction** – Polyethylene (HDPE) plastic is subject to expansion and contraction as air temperatures rise and fall. Nexwood 5/4 T&G boards will expand and contract with temperature changes in width and length. Width expansion/contraction is not measurable per individual piece but is measurable when multiple pieces are in contact with each other. Installation must accommodate the maximum annual temperature range to ensure product performance. Note: When placing boards use hand pressure only, do not force boards together, 1/16" gap



when deck runs exceed the length of one board will ensure satisfactory product performance. Designs that use shorter pieces (12' & shorter) reduce the required end gap when end-to-end joints are installed. (See Fig. 3) In areas where the annual temperature range is greater than 80° Fahrenheit additional care to allow for expansion/contraction is necessary when pieces 16' and longer are installed. If butt joints are unavoidable, each joint must be framed with a double joist and each board must have 2 surface screws on each end of the board to secure it.

- Requirement: Air Exchange Through Ventilation Underneath The Deck – NEVER BUILD A 5/4 T&G DECK LOW TO THE GROUND WITHOUT VENTILATION.** Air exchange underneath the deck is essential to product performance. Avoid stairs, designs or terrain that impedes airflow beneath the deck. A minimum 12-inch clearance below the bottom of the floor joist is required in the best conditions. More clearance is required when design or terrain impede air exchange below your installation. A minimum of two sides open for airflow is required to minimize the possibility of uncontrolled expansion/contraction caused by trapped heat/humidity beneath your 5/4 T&G deck boards. **Using Nexwood 2 x 6 or 5/4 x 6 radius edge profiles are recommended for low deck installations.**
- Requirement:** NEVER install Nexwood 5/4 T&G deck boards over an existing wooden deck surface, concrete pad or water barrier membrane. Nexwood must be installed directly onto joists. For drainage purposes, it is recommended to slope the deck surface at least 1/16" per 1 foot.
- Advisory:** - Face fastening board ends will reduce lengthwise expansion/contraction.
- Advisory;** a 12 X 12 modular design is advised with accent boards separating each module.



Failure to follow these required installation instructions will void your warranty and lead to problems such as excessive gaps, buckling on width and excessive expansion/contraction.