

Nexwood 2x6 Installation and Usage Instructions

General Information

Cutting: Carbide saw blades provide the best results (18-20 teeth for 7-1/4" saw blade) for cutting through Nexwood deck boards, although regular saws can be used with similar effectiveness.

Pre-Drilling: predrill your deck-board before screwing with Nexwood recommended screw. NOTE: Nails are not recommended on Nexwood and will void the warranty.

Screws: For best results, use #7x3" Nexwood recommended stainless steel finishing screws by **Swan Secure Products** (toll-free: 1-800-966-2801) or #8x2-1/2" **GRK Pheinox / Climatek Plated** with a trim head (toll-free: 1-800-263-0463). Pre-drill all screw holes at 3/4 of the actual screw diameter. Screws should be placed about 3/4" from either end of the width of the 2x6 board (through the outer chambers). Nexwood also works well with some concealed fastening systems like **Shadoe® Track** (toll-free: 1-800-459-5252), **Deckmaster®** (toll-free: 1-800-723-1246) or **EB.TY** (biscuit fastener from Swan Secure, toll-free: 1-800-966-2801). Note: If you use EB.TY, the direction of the screw should not be angled less than 80° from horizontal line and use PL400 adhesive applied to top of floor joist.

Drainage: Typically, the Nexwood 2x6 deck board should be spaced approximately 1/8" to 3/16" apart to allow for drainage, ventilation, and the natural expansion and contraction of the substructure.

Cantilevering: For best results, deck boards should not extend beyond the edge of the deck frame. The deck board should not hang over the rim joist more than 4".

Sanding: While drilling, some interior board threads may come up. Simply use a heavy grain sandpaper and sand lightly in the direction of the grain or tap the "mushroom" material with a small hammer. Also use sandpaper to eliminate small nicks and stains on the Nexwood surface.

Gapping: Try to avoid abutment patterns especially for long boards (more than 16 ft). Longitudinal gapping is required for joining Nexwood decking end to end (Butt joint). Approximately 1/16" is required for every 20° F difference between the temperature during installation and the highest expected temperature in the area. **Where it can not be avoided and a butt joint is required, use double joists to ensure screws are properly fastened 3/4" from each end of the Nexwood boards.**

NOTE: Construction of a Nexwood deck should begin on an average day temperature in your local area.

Change in Temp. (on an average day)	12' Board	16' Board	20' Board
-40° F	-3/16"	-1/4"	-5/16"
-20° F	-1/16"	-1/8"	-3/16"
Recommended Start Temperature	50° to 65° F	50° to 65° F	50° to 65° F
+20° F	1/16"	1/8"	3/16"
+40° F	3/16"	1/4"	5/16"

Disclaimer: It is important to note that all composite and plastic-based products will experience some degree of expansion and contraction with changes in temperature. Certain measures must be taken when building with these products to ensure a beautiful finished project. Longer boards will experience a greater amount of expansion than shorter boards; therefore, if possible, it is a good idea to avoid butting boards of 20 feet in length end to end. If this is unavoidable then you will most likely experience a change in length of the boards of approximately 1/4", unless the deck is made with different levels (elevations) thereby eliminating any end to end joints. Another alternative is building a deck with the Herringbone pattern. It will offer a striking visual effect and reduce the waste of deck boards. Another option is to separate the butt joints by running a 2x6 perpendicular, in between the two ends. This will lessen the overall gap by half. Nexwood experiences very minimal expansion and contraction in its width. NOTE: When building the substructure frame for your Nexwood deck, it is important to use pressure treated wood to reduce the amount of expansion and contraction and overall movement of the surface.

Span Requirements: Residential and light duty deck/docks - joist spacing = 24"
 Commercial decks, boardwalks and marinas- joist spacing = 16"
 For angled decks: 30° decking angle – joist spacing = 22"
 45° decking angle – joist spacing = 20"
 60° decking angle – joist spacing = 12"

Color Change: Similar to real wood products, Nexwood will tend to fade when exposed to sunlight and natural weathering. It is important to recognize that over time, our Driftwood Gray, Sierra Brown, Sequoia Red and Natural colors will tend to fade to a silver grayish color or may carry a slight undertone of the base color of the re-cycled plastic material (green, blue, red, etc.), due to the effects of UV radiation and weathering. The speed or intensity of this process varies due to many uncontrollable factors, i.e.: intensity of the sun, wet/dry cycles and general climatic conditions. There may also be slight "color tone variations" between boards from different production batches. We are unable to control the amount of fade or final color tone and therefore we cannot offer any warranty on the color of our recycled products. Our warranty specifically excludes: "Fading of original color due to natural weathering; or slight variations in color due to use of recycled plastic in the product; or customer misuse causing stains."

Nexwood Care and Cleaning Tips

Normal Care: Once a Nexwood deck is installed, periodic cleaning is necessary to keep the deck looking great. For dirt, dust and other residue, simply sweep with a broom. If necessary, wash the deck down in the direction of the grain with a garden hose or a pressure washer (max 1000 psi at a 45° angle to the deck, not too close to the deck surface).

Stain Removal: Use a deck washing solution (e.g., **BEHR No. 63**, wood cleaner brightener conditioner) to remove stains. These are available at home centers, lumberyards, or hardware stores. Some solutions will lighten the color of Nexwood, so it is recommended that you apply the solution to the entire surface. Please read and follow instructions on the containers of any products you use.

- **Mold, mildew, leaves and berries:** Ideally, you should clean the dirt off your deck before mildew starts, because the dirt feeds the mold. If mold/mildew appears on your deck, a deck washing product containing sodium hydrochloride and a detergent can be used. Never mix any other cleaners (ammonia, phosphoric acid, etc.) with the deck washing product. Vinegar can also be used to kill the mold.
- **Rust stains, ground-in dirt and grime:** If deck washing solutions cannot remove steadfast rust stain, use a cleaner that contains Phosphoric Acid or try **Zep Calcium Lime and Rust Stain Remover**. Rust stain removers are corrosive so please handle with care and follow instructions on the container. If necessary, use a medium to heavy grain sandpaper (grit #40) to lightly sand the surface in the direction of the grain.

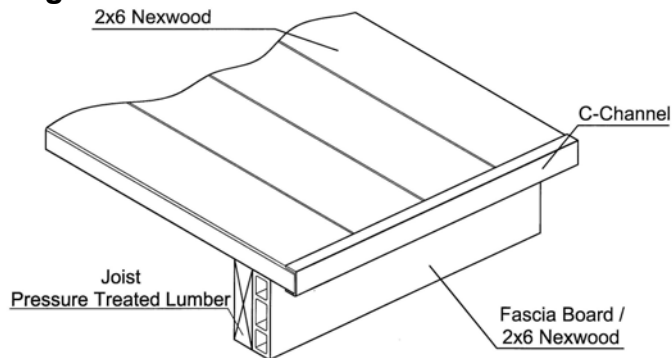
- **Oil, coffee and grease stains:** Scrub with a degreasing agent (K2R, or citrus-based cleaners, e.g. **Commercial Zep/Degreaser, or Oil Eater Cleaner Degreaser**) as soon as the spill occurs. If necessary, use a medium to heavy grain sandpaper and sand lightly in the direction of the grain until the stain is not noticeable. To prevent stains around your barbeque, lay a large plastic sheet under it during use to capture grease splatter.
- **Red wine stains:** Apply soda water to the stain and let stand for two minutes, but do not let it dry! Blot off and rinse thoroughly with water. Repeat the process if necessary.
- **Blood stains:** Pour cold water or Hydrogen Peroxide (3%) on stain. Blot off and repeat if necessary.
- **Urine stains:** Pour white vinegar over area. Let it set for a few minutes, but do not let it dry! Rinse thoroughly with water.
- **Water stains:** In dry climates where rainfall is scarce or if you get morning dew, you may find water stains and streaks on your Nexwood products, especially in shaded spots. To minimize these stains and streaks, wash the deck down with a garden hose or a pressure washer (at a 45° angle to the deck, not too close to the deck surface). You can also lightly sand the surface in the direction of the grain.

Ice & Snow: If you reside in a cold weather climate and would like to protect your Nexwood deck from ice and snow, use Calcium Chloride or safety rock salt to melt it. Remove the ice and snow with a plastic or wood shovel as it begins to melt.

Covering the Deck Board's Open Profile

Because Nexwood profile is a hollow profile, you must cover it using Nexwood C-Channels, Nexwood Fascia board, Nexwood board, or Nexwood End Caps.

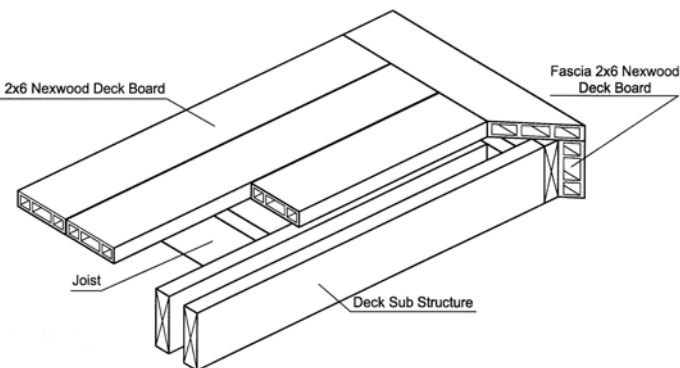
Using Nexwood C-Channels



Instructions (C-CHANNEL):

1. Fasten the C-Channel from the bottom side using #6x3/4" pan head screws. (Pre-drilling is necessary, and / or uses adhesive OSI/LePage PL400.)
2. Fasten a 2x6 deck board as a fascia or use 0.5"x9" Nexwood Fascia Board to the joist. NOTE: The Nexwood 2x6 deck board has a maximum overhang tolerance of 4 inches. Do not cantilever.

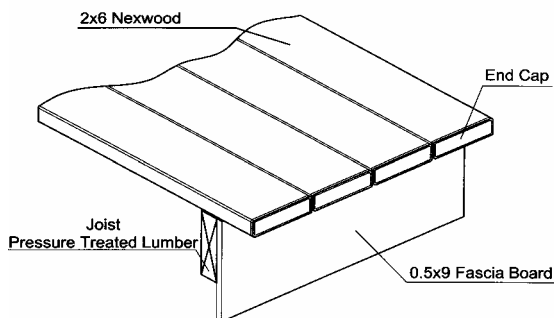
Using Another Nexwood Board



Instructions (2x6 Deck Board with Double Rim Joist):

1. Construct a double rim joist around the perimeter of the deck structure.
2. Fasten a 2x6 deck board to the side of the rim joist.
3. Cut the 2x6 deck board to a 45° cut (or another appropriate angle for non-square corners) and fasten the deck board to the rim joist.

Using Nexwood End Caps



Instructions (END CAP):

1. Insert Nexwood End Caps to cover the deck board's open profile.
2. Use adhesive (OSI PL400, LePage PL400 or Devcon - Plastic Welder II) to secure the End Cap to the deck board.
3. Ensure the drainage part of the End Cap is on the bottom side.
4. Fasten 0.5"x9" Fascia Board to the joist using 1-5/8"x0.075" Colored Ring Thread Nails.