

Nexwood Railing System Installation and Usage Instructions

Nexwood Railing System

The Nexwood railing system is a perfect complement to the Nexwood deck. Before constructing a Nexwood railing system, consult your local building codes as spacing and placement regulations of railings vary in different municipalities throughout North America.

Nexwood Standard Railing System

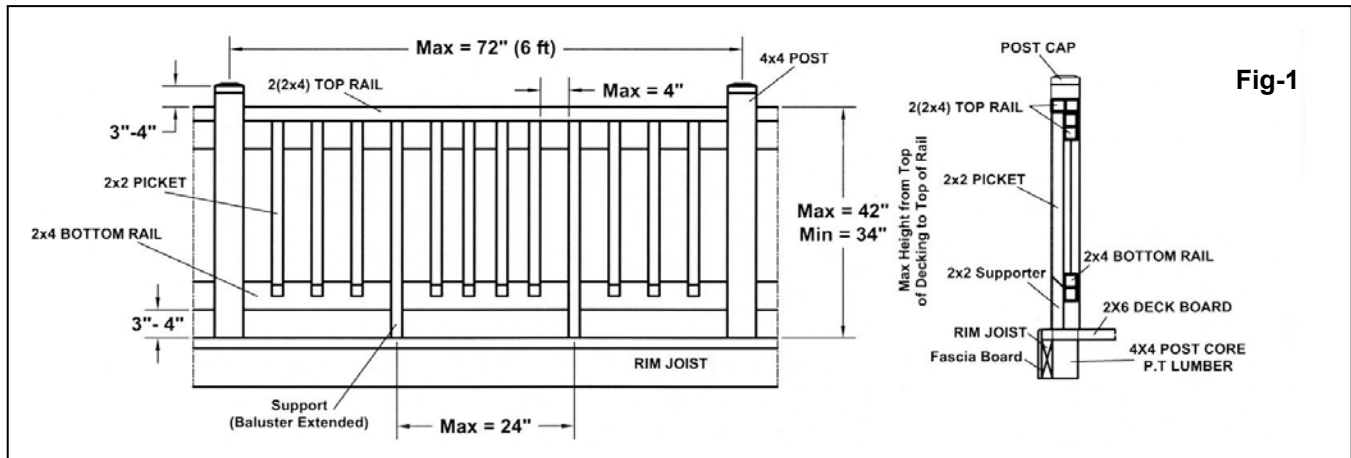


Fig-1

Nexwood Post Assembly

The Nexwood 4x4 post-sleeve is designed to act as a sleeve to slide over a 4x4 pressure treated lumber post. The Nexwood sleeve protects the wood post from weathering. NOTE: Dry wood must be used inside the Nexwood post-sleeve to prevent freeze-thaw expansion. Use rounded-edge 4x4 post lumber for the post core. Below are diagrams illustrating how to post inline post and corner post.

Posting Inline Posts

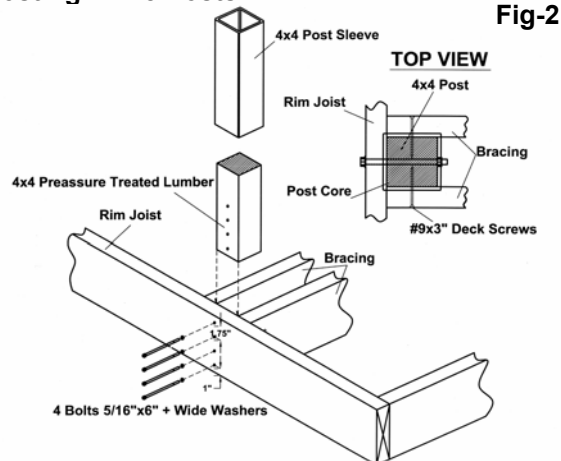


Fig-2

Instructions:

1. Cut one piece of 4x4 pressure treated lumber at a length equal to the height of the Nexwood 4x4 post-sleeve plus the depth of the joist and the thickness of the deck board.
2. Fasten the 4x4 pressure treated lumber Post and the rim-joist together using two 5/16"x6" carriage bolts and two 1" washers.
3. Slide the Nexwood 4x4 post-sleeve down the wood post and fasten with deck screws as shown on Fig-4 &

Posting Corner Posts

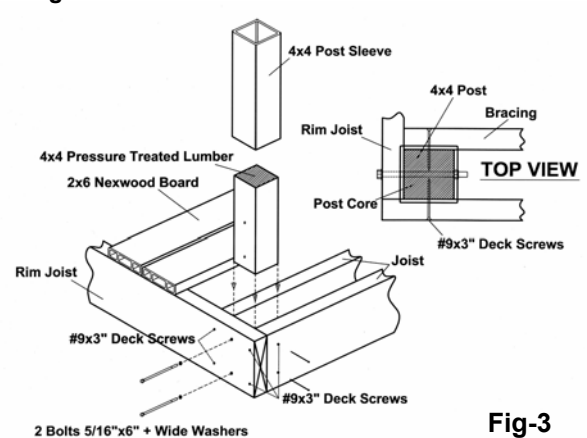


Fig-3

Instructions:

1. Cut one piece of 4x4 pressure treated lumber at a length equal to the height of the Nexwood 4x4 post-sleeve plus the depth of the joist and the thickness of the deck board.
2. Fasten the 4x4 pressure treated lumber Post and the joist together using two 5/16"x6" carriage bolts and two 1" washers
3. Secure the post and the opposite joist with two #9x3" deck screws.
4. Slide the Nexwood 4x4 post-sleeve down the wood post and fasten with deck screws as shown on Fig-4 & 5.

Nexwood Railing System Assembly

The following diagrams provide information on how to attach the rail to the post and how to install pickets.

Attaching Top Rail to Post

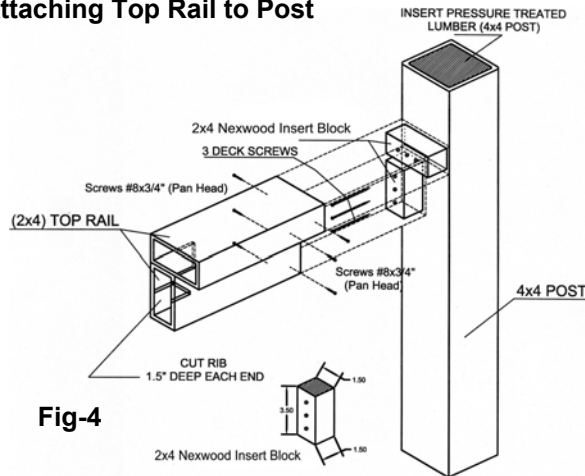


Fig-4

Instructions:

1. Fasten 2x4 Nexwood insert block 3.5"x1.5"x1.5" to the post with three #7x3" deck screws.
2. Measure between posts and cut two pieces of 2x4 rails at the appropriate length.
3. Remove the middle rib of the 2x4 rail at each end of the rail with a jig-saw and chisel.
4. Fit the rail to the lumber anchor and fasten railing with two #8x3/4" pan head screws at each side.

Attaching Bottom Rail to Post

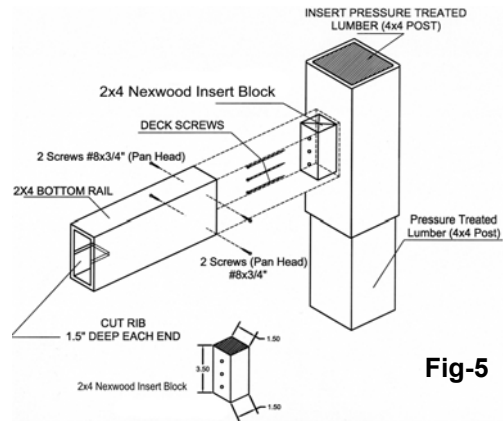


Fig-5

Instructions:

1. Fasten 2x4 Nexwood insert blocks 3.5"x1.5"x1.5" to the post with three #7x3" deck screws.
2. Measure between posts and cut a piece of 2x4 rail at the appropriate length.
3. Remove the middle rib of the 2x4 rail at each end of the rail with a jig-saw and chisel.
4. Fit the rail to the lumber anchor and fasten railing with two #8x3/4" pan head screws at each side.

Installing Pickets for Single Rail

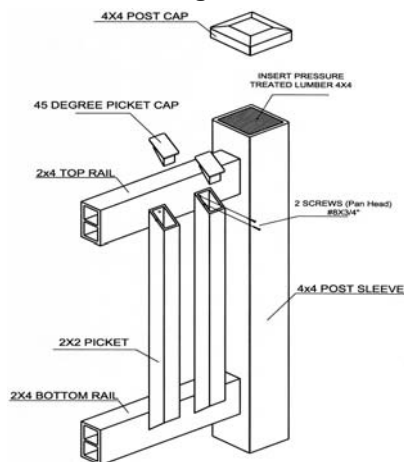


Fig-6

Instructions for Picket/Baluster: (Our suggested installation method for a light-duty use handrail only.)

1. Cut 2x2 pickets at a 45° angle on both ends (lengths depending on the height of the railing).
2. Fasten the top end of the first picket to the center of the top rail with two #8 x 3/4" Pan Head screws. Check for plumb before inserting the second screw.
3. Fasten the bottom end of the picket to the middle of the bottom rail with two #8 x 3/4" Pan Head screws.
4. Position the screws diagonally and ensure the screws do not impede the insertion of the Nexwood 45° picket caps.
5. Cover the open ends of the picket with Nexwood 45° caps, applying Nexwood recommended adhesive: OSI PL400, LePage PL400, or Devcon Plastic Welder-II.
6. Fasten the pickets outward from the center at 5½" increments (or 4" maximum between pickets).

Installing Pickets for Double Rail

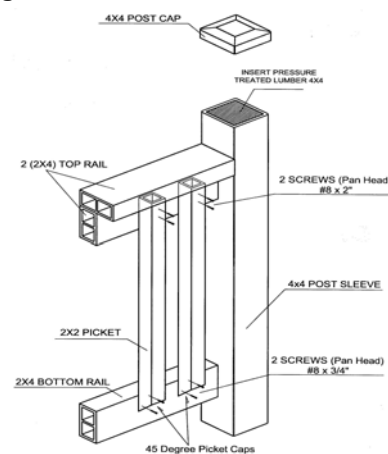


Fig-7

Instructions for Picket/Baluster: (Installation method based on test results, building codes and BOCA/NES/ICBO requirement.)

1. Cut 2x2 pickets at a 45° angle on one end (lengths depending on the height of the railing).
2. Fasten the top end of the first picket to the bottom of the top rail with two #8 x 2" Pan Head screws. Check for plumb before inserting the second screw.
3. Fasten the bottom end of the picket to the middle of the bottom rail with two #8 x 3/4" Pan Head screws.
4. Position the screws diagonally and ensure the screws do not impede the insertion of the Nexwood 45° picket caps.
5. Cover the open ends of the picket with Nexwood 45° caps, applying Nexwood recommended adhesive: OSI PL400, LePage PL400, or Devcon Plastic Welder-II.
6. Fasten the pickets outward from the center at 5½" increments (or 4" maximum between pickets).